

Secant 50

SURFACE STEM



SPECIFICATION SHEET

Secant 50



Model 1671

Type

S Surface - STEM

Size

24 24.8" [631mm]
 36 36.3" [921mm]
 48 47.7" [1211mm]
 60 59.1" [1500mm]
 72 70.5" [1790mm]
 Custom

Wattage^{1,2}

Direct³

24"
 LD 16W (2135lm)
 MD 32W (3965lm)
36"
 LD 24W (3200lm)
 MD 48W (5945lm)
48"
 LD 32W (4265lm)
 MD 64W (7925lm)
60"
 LD 40W (5335lm)
 MD 80W (9905lm)
72"
 LD 48W (6400lm)
 MD 96W (11890lm)

Indirect⁴

LI 16W (2135lm)
 MI 32W (3965lm)
 LI 24W (3200lm)
 MI 48W (5945lm)
 LI 32W (4265lm)
 MI 64W (7925lm)
 LI 40W (5335lm)
 MI 80W (9905lm)
 LI 48W (6400lm)
 MI 96W (11890lm)

XD - No Direct

XI - No Indirect

Color Temp⁵

30 3000
 35 3500
 40 4000

Voltage

U 120/277 Volt
 1 120 Volt (DFPN only - see section Control)

Driver

RD Remote

Control - RD

S Non-dim
 D010 0-10V 10%
 DFPN Lutron Forward Phase 1% 120 Volt
 L3DAE Lutron Hi-lume 1% EcoSystem
 L3D0E Lutron Hi-lume Premier 0.1% EcoSystem

Diffuser Bottom

SW Satin opal acrylic
 CB Aluminum - painted to match the fixture

Diffuser Top

SA Satin clear acrylic
 CT Aluminum - painted to match the fixture

Finish

19 Painted anodized aluminum - RAL 9006 matte
 21 Painted white - RAL 9010 matte
 26 Painted black - RAL 9005 matte
 22 Painted custom color

Mounting

S Stem - remote driver

Circuit

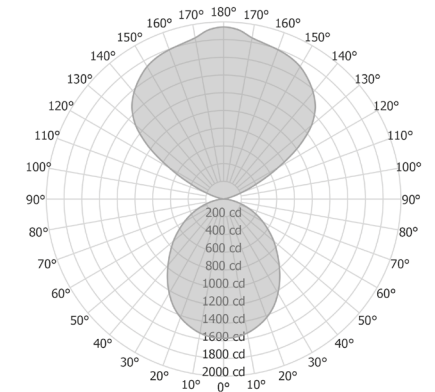
CS Circuit - Single
 CD Circuit - Dual

Notes

- Nominal lumens value specified
- Linear LED board, constant voltage 24 Volt
- For no Direct light specify XD
- For no Indirect light specify XI
- 90+ CRI standard

Example fixture number:

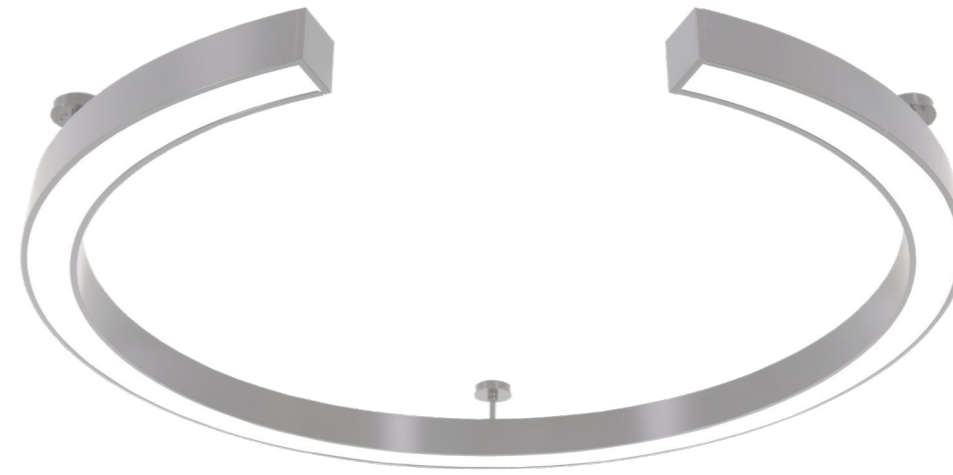
1671 - S - 24 - LD - LI - 30 - U - RD - S - SW - SA - 19 - S - CS



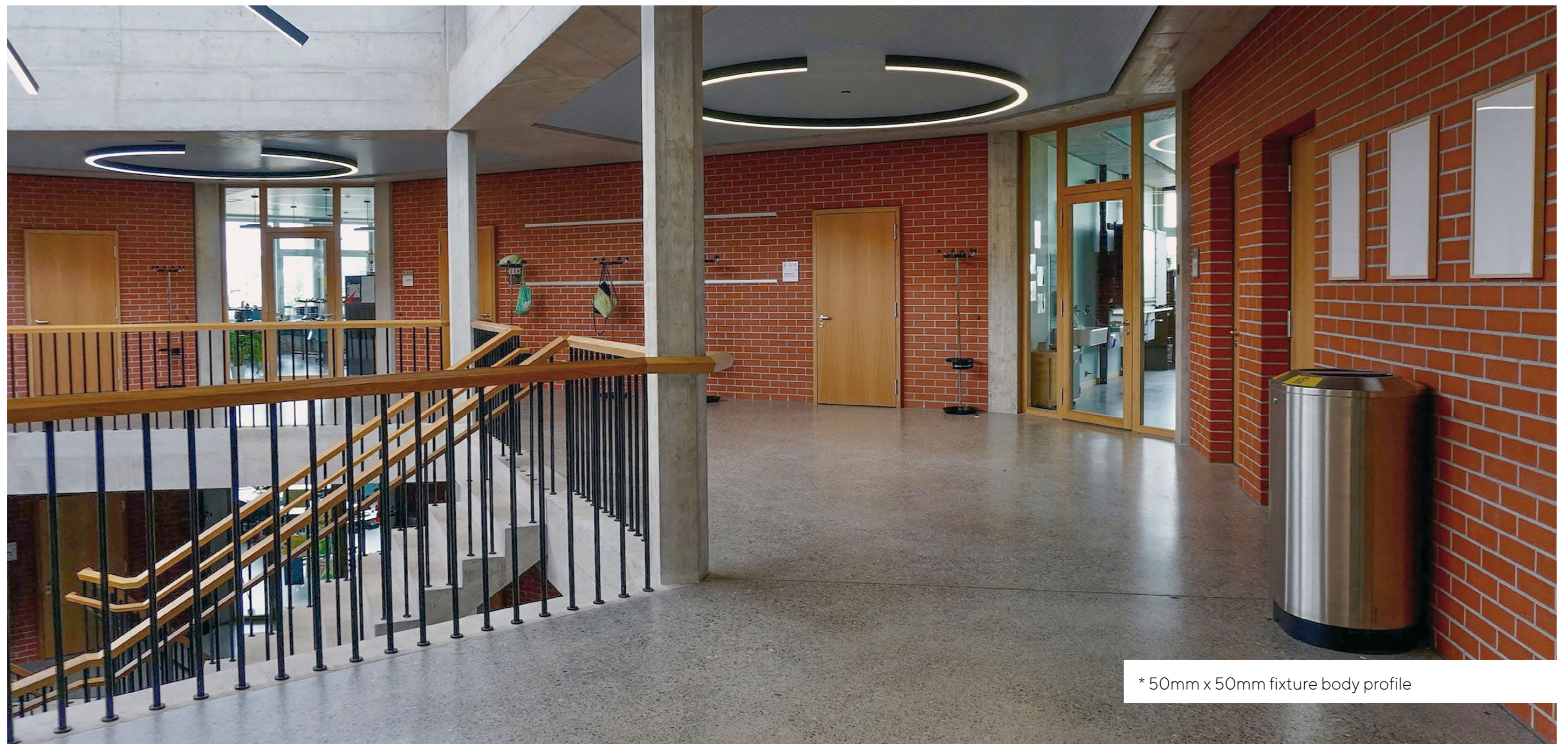
Secant 50

SURFACE STEM

Offering a voluminous effect, Secant 50 is available in pendant and surface versions. Appearance is adaptable according to one's wishes and can be modified. Satin Opal diffuser for general lighting with maximum transmittance and homogeneous lighting.



Size	
24	24.8" [631mm]
36	36.3" [921mm]
48	47.7" [1,211mm]
60	59.1" [1,500mm]
72	70.5" [1,790mm]
Custom	



* 50mm x 50mm fixture body profile

Secant 50

SURFACE STEM

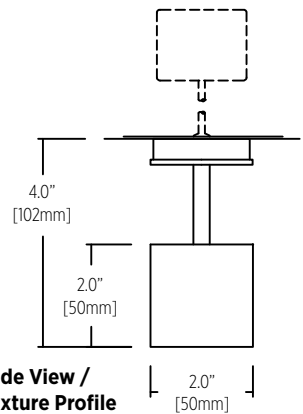
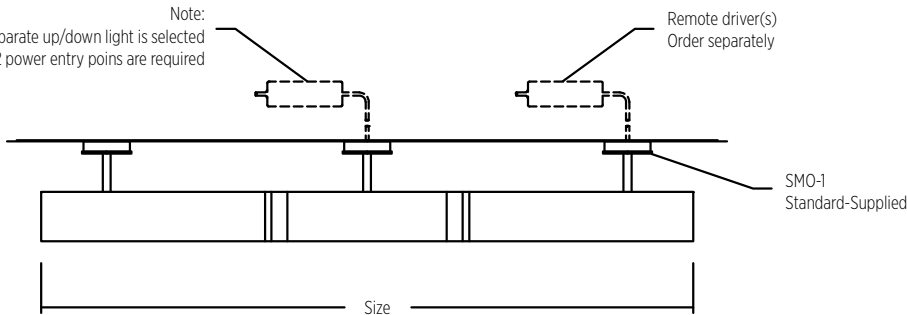


SPECIFICATION SHEET

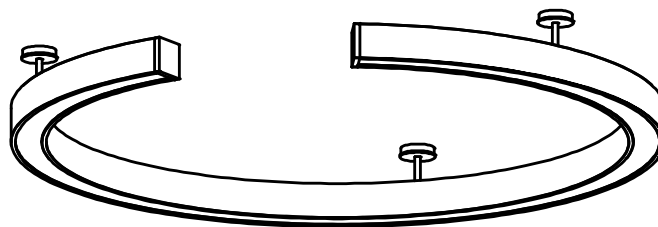
Secant 50



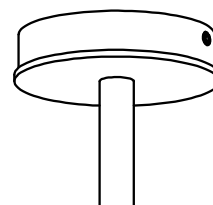
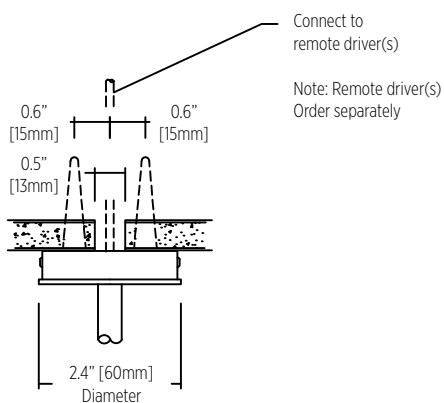
Note:
If separate up/down light is selected
2 power entry points are required



Side View /
Fixture Profile



SMO-1 Standard - Supplied



Mounting Option - Stem / Non Power
Installed in drywall or wood
Application wall or ceiling